

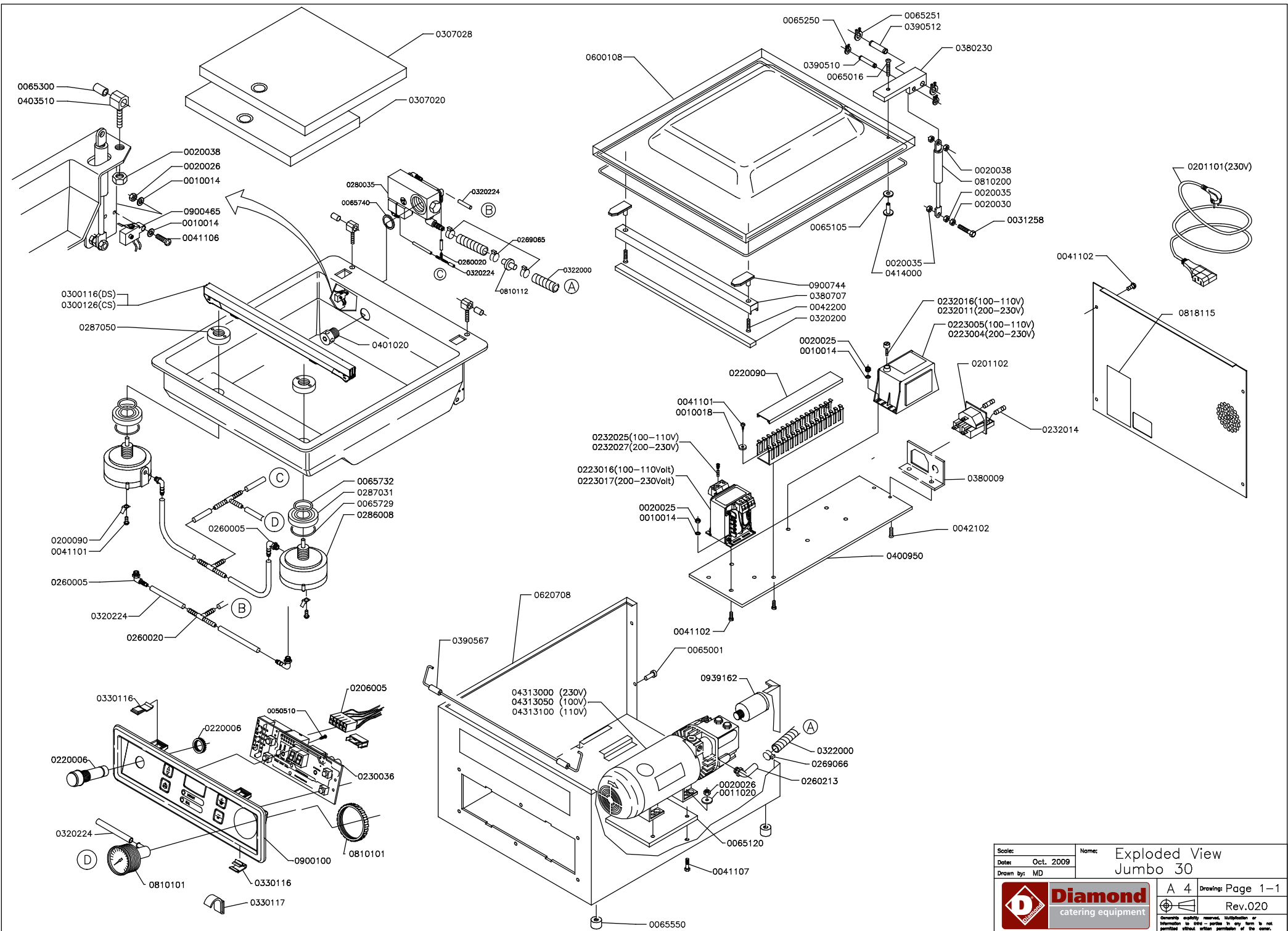
10/2009

Mod: GA-102/N

Production code: Jumbo 30



Diamond
catering equipment



Scale:	Name:	Exploded View	
Date:	Oct. 2009	Jumbo 30	
Drawn by:	MD		
		A 4	Drawing: Page 1-1
		Rev.020	
<small>Ownership, quality, material, identification, or information to this - parties in any form is not permitted without written permission of the owner.</small>			